



Model Number:	GX3-AL-TF-213TC-4-B-D-7.5
MFG PN:	1412
List Price:	

All data shown at HIGH voltage setting

Format: STD 3 Phase

Electrical Data				General Data			
Rated Motor Output Power	7.5	HP		Frame Size	213TC		
Rated Motor Speed	1765	r/min 60Hz		Enclosure	TEFC		
	1460	r/min 50Hz		Mounting	Rigid/C-Flange		
Rated Motor Voltage (3 Phase)	230/460	V/60Hz		NEMA Design	A		
	190/380	V/50Hz		IP Rating	55		
Rated Motor Current	17.7/8.86	A (In) @ 60Hz		Insulation Class	F		
	20.8/10.4	A (In) @ 50Hz		Tropicalization	1		
FL Current @ 208V	None	A (In) @ 60Hz		Duty	Cont.		
Service Factor	1.25	@ 60Hz		Cable Entry	1-NPT		
	1.25	@ 50Hz		Feet Removable	1		
KVA Code	L	60Hz		Double Drilled	0		
	J	50Hz		Frame Material	Cast		
Nominal Efficiency	91.7	% @ 60Hz		Shaft Material	1045		
	90.4	% @ 50Hz		Coating	RAL	7024	
Nominal Power Factor	0.844	cos θ @ 60Hz					
Full Load Torque Ft-Lb	S			Mechanical Data			
Load Data	Trq Ft-Lb	Trq %FL	Current Amps	Bearing DE Side	6308ZZ		
Locked Rotor				Bearing NDE Side	6208ZZ		
Breakdown	88.695	405.0	-	Comp Ring (wavey washer)	NDE		
Pull Up	43.581	199.0	-	Weight	154.0	Lbs	
Load Data	RPM	Eff %	Current Amps	Moment of Inertia	None	kg.m3	
125% of FL	1760.2	90.916	10.93	Site Conditions			
75% of FL	1777.2	91.358	7.149	Temp Rise @ Full Load °C	B	@ 60Hz	
50% of FL	1785.2	90.052	5.619	Ambient Temperature °C	40		
No Load	1199.0	0	3.92	Altitude Above Sea Level (M)	1000		
Brake Torque (N-M)	80.0		Loaded Torque Curves		GR3-AL-TF-132S-4-B-D-7.5		
Brake Coil Voltage	None		P1 = Output Power (KW), S = Slip (% of Sync RPM), η = Efficiency (%), cos ϕ = Power Factor				

CT VFD Range		
Haz Loc Rating		
Options:		
UL File Number		
CSA File Number		
DOE File Number		
CE APPROVAL		
Wiring Diagram	NEMA-3-9-YY-Y-BRK	

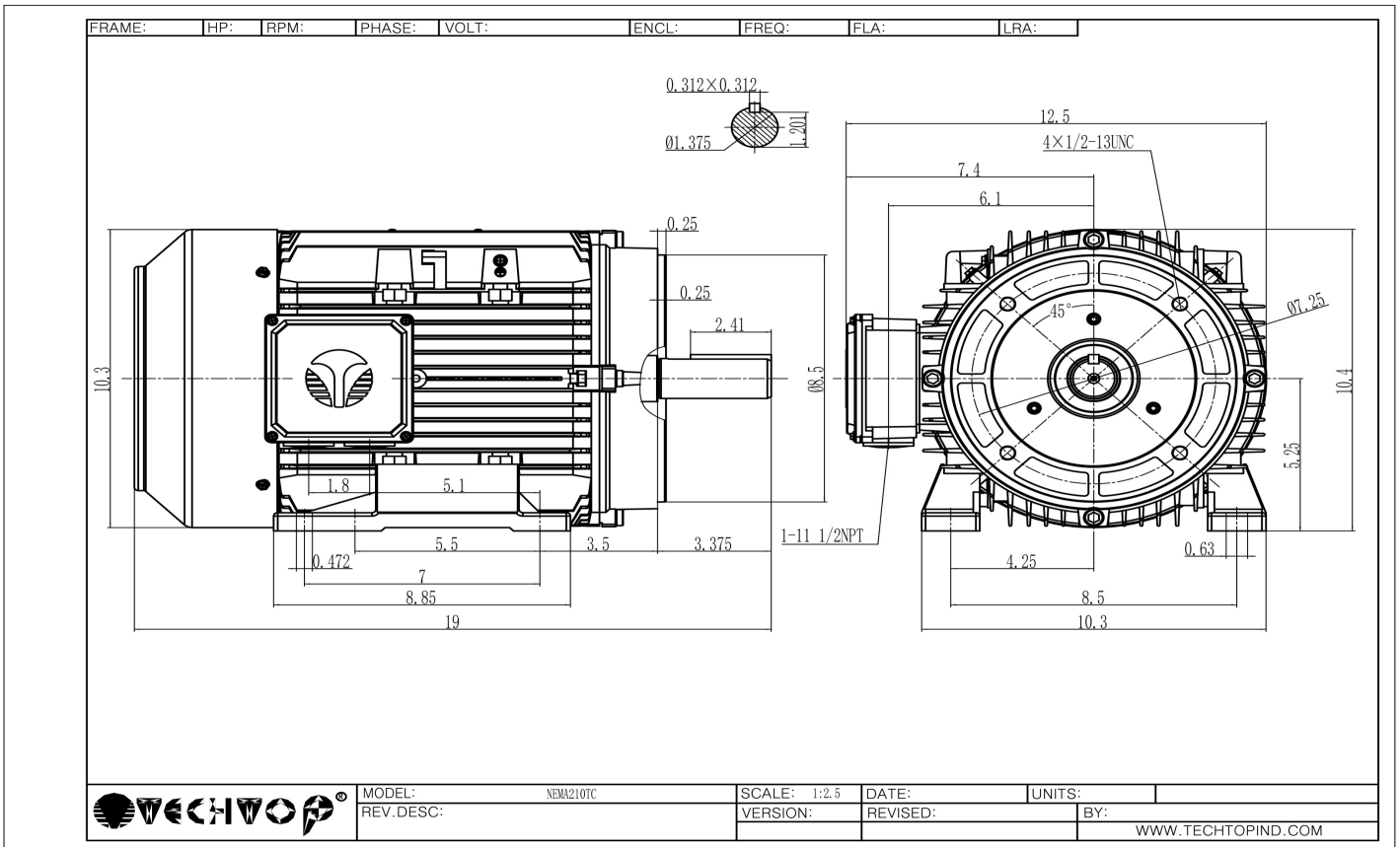
Techtop Industries -2815 Colonnades Court - Peachtree Corners, GA 30071 - Phone: (678) 436-5540



Model Number:	GX3-AL-TF-213TC-4-B-D-7.5
MFG PN:	
List Price:	1412

Dimensional Drawing (For Reference Only)

GX3-AL-TF-210TC-2D



Components

Item	Model	Description	List Price
C-Face Kit			

D-Flange Kit			
DE Endplate Kit			
NDE Endplate Kit			
Junction Box			
Cooling Fan Cover			
Cooling Fan			
Replacement Feet			
DE Bearing Retainer Kit			
NDE Bearing Retainer Kit			

Techtop Industries -2815 Colonnades Court - Peachtree Corners, GA 30071 - Phone: (678) 436-5540