



**Model Number:** GR3-CI-TF-324TSC-2-BR-D-40

**MFG PN:** 3818

**List Price:**

All data shown at HIGH voltage setting

Format: STD 3 Phase

Electrical Data				General Data			
Rated Motor Output Power	40.0	HP		Frame Size	324TSC		
Rated Motor Speed	3560	r/min 60Hz		Enclosure	TEFC		
	2940	r/min 50Hz		Mounting	Rigid/C-Flange		
Rated Motor Voltage (3 Phase)	230/460	V/60Hz		NEMA Design	A		
	190/380	V/50Hz		IP Rating	55		
Rated Motor Current	90.07/45.04	A (In) @ 60Hz		Insulation Class	F		
	112/56	A (In) @ 50Hz		Tropicalization	1		
FL Current @ 208V	None	A (In) @ 60Hz		Duty	Cont. / S1		
Service Factor	1.25	@ 60Hz		Cable Entry	1-NPT 2"		
	1.25	@ 50Hz		Feet Removable	1		
KVA Code	H	60Hz		Double Drilled	0		
	F	50Hz		Frame Material	Cast Iron		
Nominal Efficiency	92.4	% @ 60Hz		Shaft Material	None		
	90.0	% @ 50Hz		Coating	RAL	7024	
Nominal Power Factor	0.89	cos $\phi$ @ 60Hz					
Full Load Torque Ft-Lb	S			Mechanical Data			
Load Data	Trq Ft-Lb	Trq %FL	Current Amps	Bearing DE Side	6312C3		
Locked Rotor				Bearing NDE Side	6312C3		
Breakdown	140.8357223	236.0	-	Comp Ring (wavey washer)	None		
Pull Up	74.59519187	125.0	-	Weight	485.1	Lbs	
Load Data	RPM	Eff %	Current Amps	Moment of Inertia	None	kg.m3	
125% of FL	3542.2	92.13	56.88	Site Conditions			
75% of FL	3567.6	91.99	35.03	Temp Rise @ Full Load °C	B	@ 60Hz	
50% of FL	3578.7	90.37	25.43	Ambient Temperature °C	40		
No Load	1199.0	0	12.48	Altitude Above Sea Level (M)	1000		
Brake Torque (N-M)	100.0	Loaded Torque Curves		None			
Brake Coil Voltage	None	P1 = Output Power (KW), S = Slip (% of Sync RPM), $\eta$ = Efficiency (%), cos $\phi$ = Power Factor					

<b>CT VFD Range</b>	
Haz Loc Rating	
Options:	
<b>UL File Number</b>	
<b>CSA File Number</b>	
<b>DOE File Number</b>	
<b>CE APPROVAL</b>	
<b>Wiring Diagram</b>	<b>NEMA-3-12-DD-D</b>

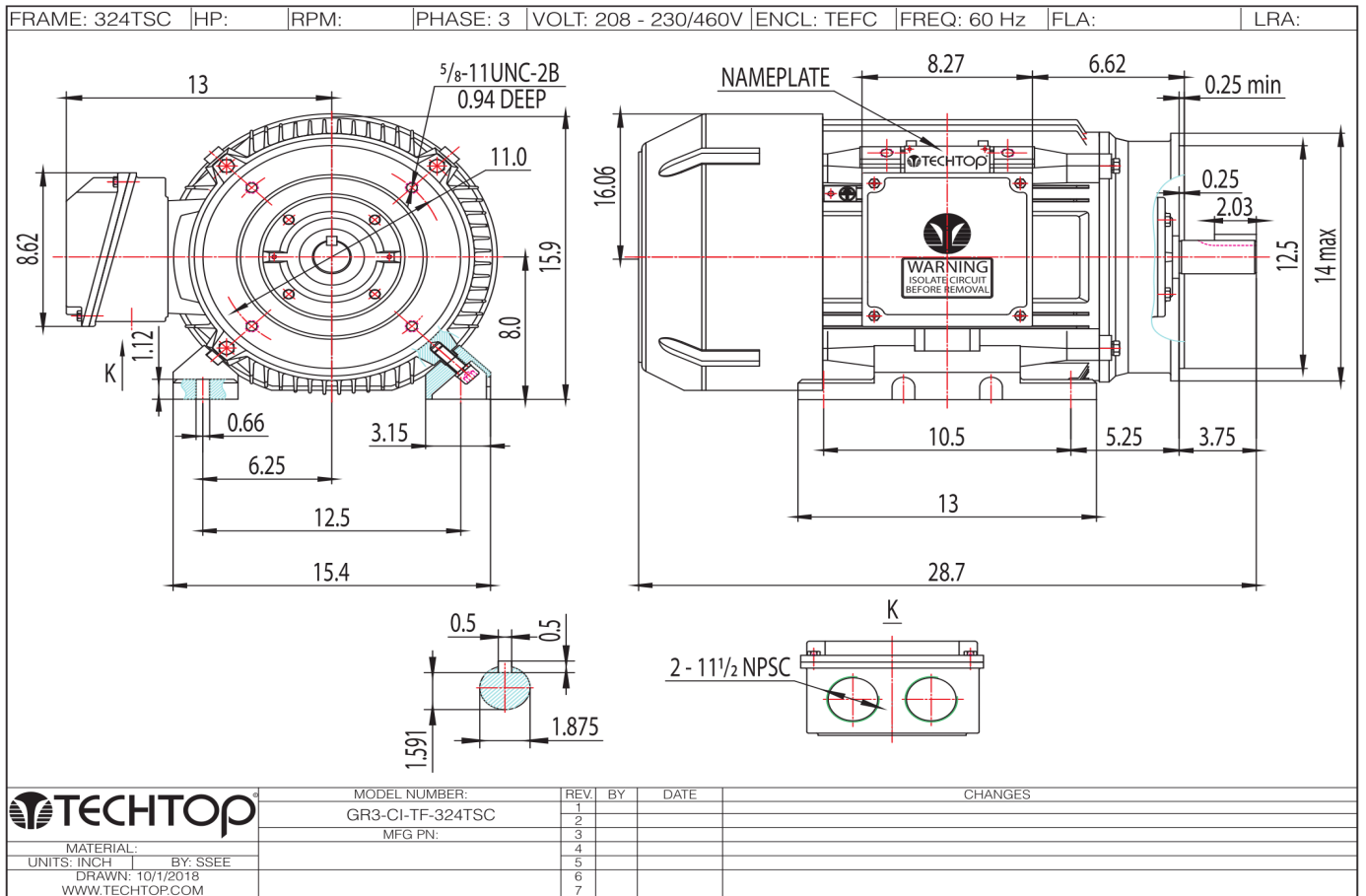
Techtop Industries -2815 Colonnades Court - Peachtree Corners, GA 30071 - Phone: (678) 436-5540



<b>Model Number:</b>	GR3-CI-TF-324TSC-2-BR-D-40
<b>MFG PN:</b>	
<b>List Price:</b>	3818

Dimensional Drawing (For Reference Only)

GR3-CI-TF-324TSC-CFC-2D



**Components**

Item	Model	Description	List Price
C-Face Kit			
D-Flange Kit			
DE Endplate Kit			
NDE Endplate Kit			
Junction Box			
Cooling Fan Cover			
Cooling Fan			
Replacement Feet			
DE Bearing Retainer Kit			
NDE Bearing Retainer Kit			

