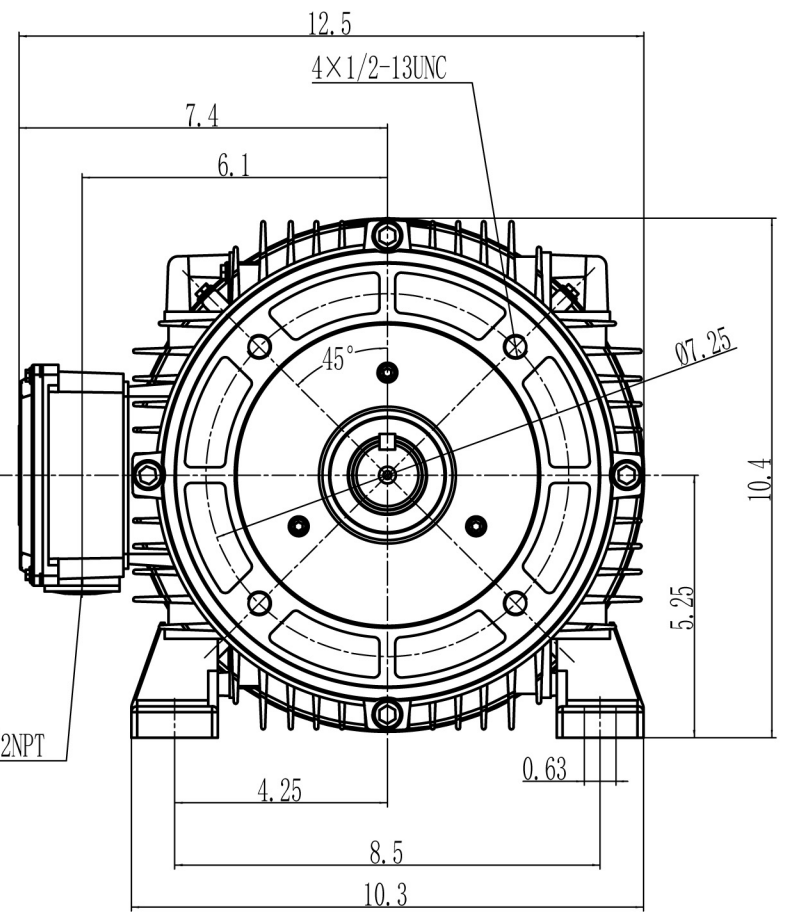
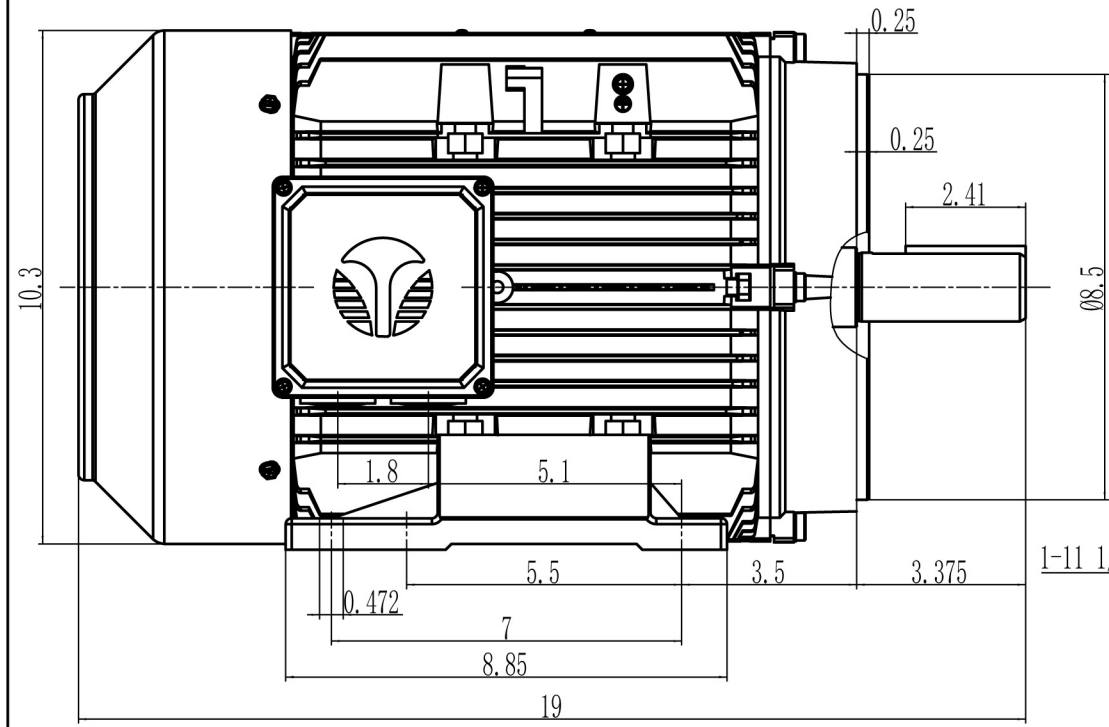
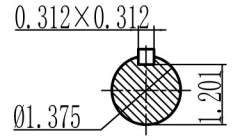


FRAME:    HP:    RPM:    PHASE:    VOLT:    ENCL:    FREQ:    FLA:    LRA:



1-11 1/2NPT



MODEL: NEMA210TC  
 REV.DESC:

SCALE: 1:2.5  
 DATE:  
 VERSION:  
 REVISED:

UNITS:  
 BY:  
 WWW.TECHTOPIND.COM